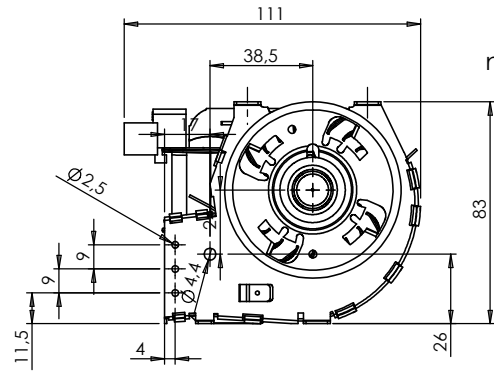
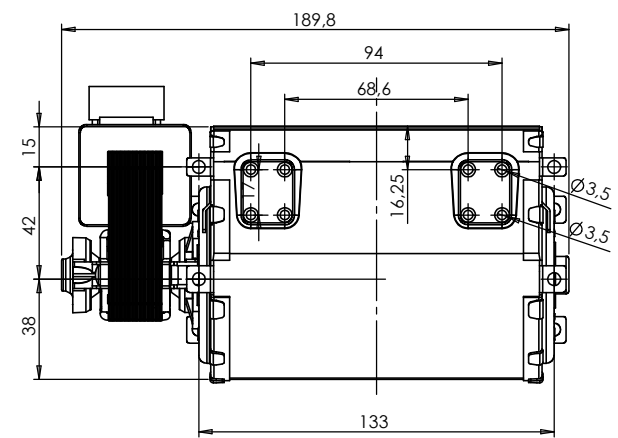


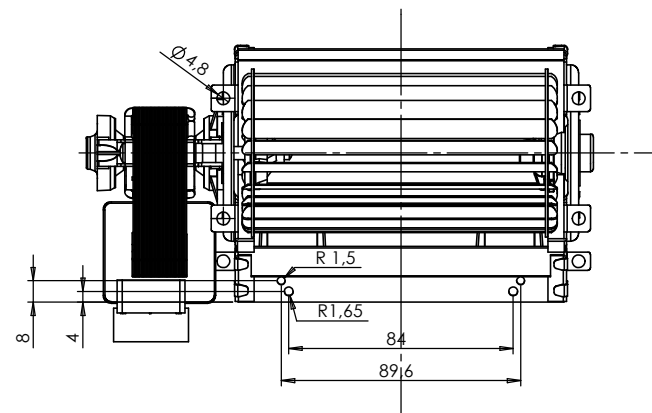
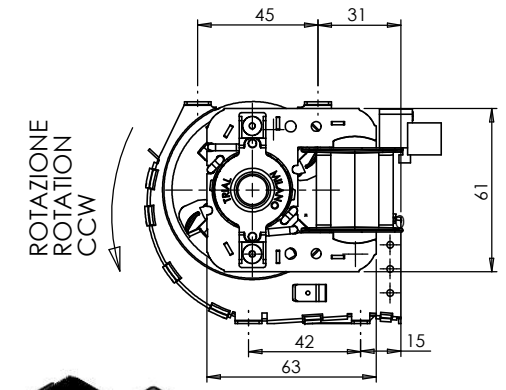
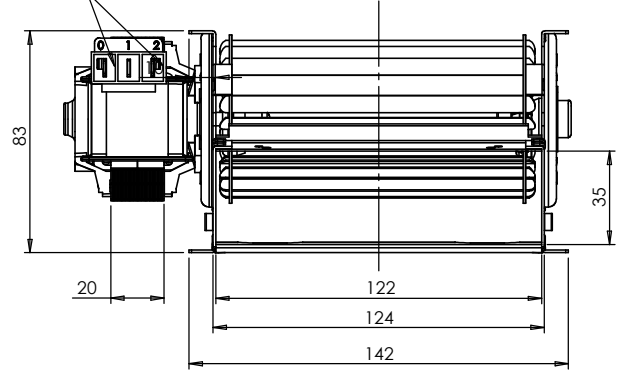
In terms of law, we reserve the ownership of the present drawing with the prohibition of re-produce or make it known to others without our permission.

DATI CARATTERISTICI / TECHNICAL DATA AT 50 Hz
"TAS12B-035"

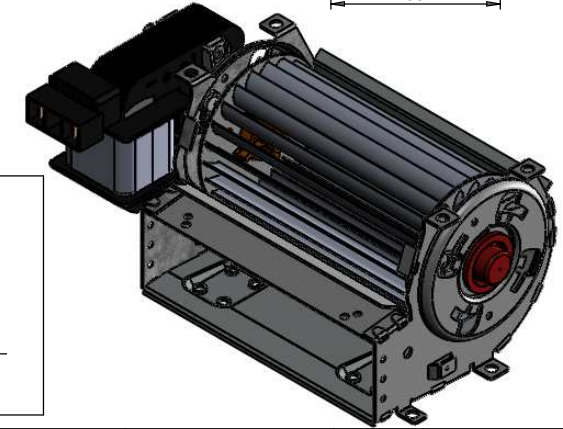
Tensione nominale/Rated Voltage	V	230
Frequenza/Rated Frequency	Hz	50/60
Potenza assorbita/Input Power	W	34
Classe isolamento/Insulation class (IEC 60085)		F
Max temp./Max ambient temperature(IEC 60335-1)	°C	60
N° di giri a vuoto/Rated speed no load	Rpm	2200
Portata a bocca libera/Rated airflow	m³/h	120
Pressione statica/ Static pressure	Pa	75
Rotazione/Rotation (side View)		CCW



n.2 faston 6.3 x 0.8



FOR APPROVAL
SIGN _____



Material:	Peso netto [g]:	Trattamento:	Dis.: C.P.
TRIAL Srl			Data : 08/10/14
S.Giuliano M.se Via dei Mille, 3 Tel (0039) 029822231 Uff. Commerciale Tel (0039) 029822351 Uff. Tecnico Fax (0039) 0298243291	For linear dimensions and angular without tolerance, refer to standard UNI ISO 2768 medium degree.		Scala : 1:2
Description: TFA004-S7- 230V50/60HZ		Foglio 1 / 1	Visto : -
			⊕ ⊖ A3
			Drawing Code Mod.
			TAS12B-035 00
			<small>Sostituisce il dis.</small>